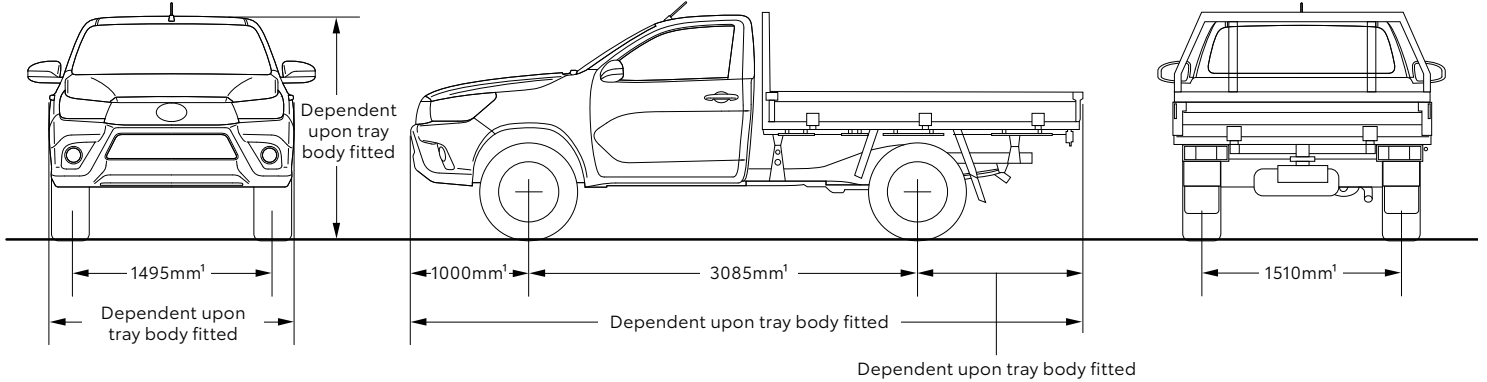


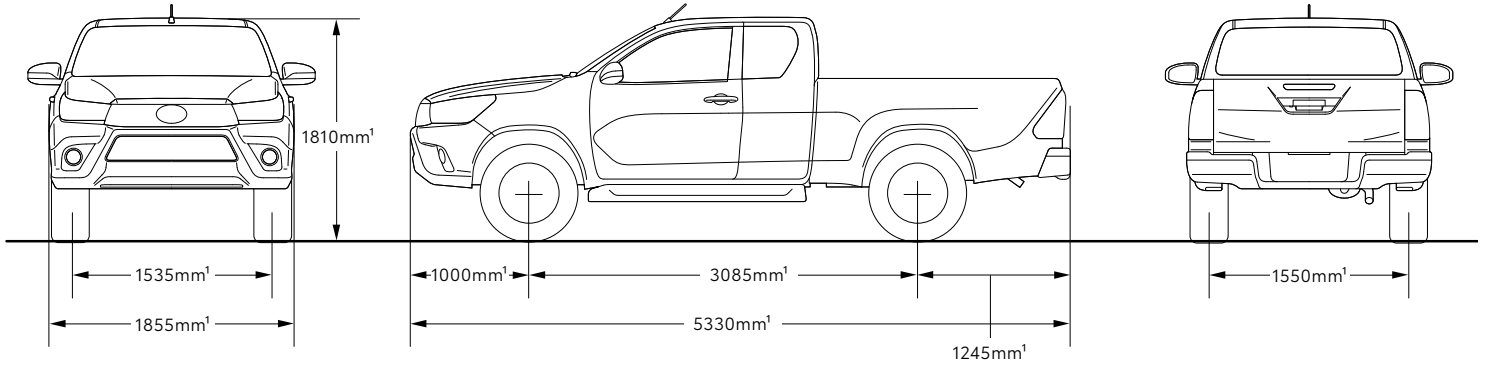
HiLux 4x4



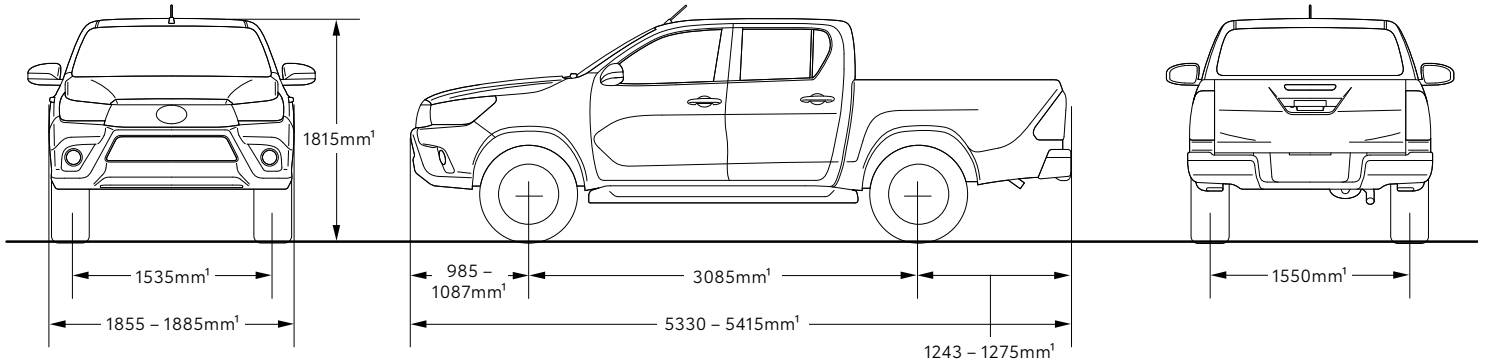
Single-Cab Cab-Chassis



Extra-Cab Pick-Up – Cab-Chassis available on selected models. See table for applicability and dimensions.



Double-Cab Pick-Up – Cab-Chassis available on selected models. See table for applicability and dimensions.



HILUX – 4X4		2.4L turbo diesel		2.8L turbo diesel	
ENGINE	Engine Code	2GD-FTV		1GD-FTV	
	Displacement (cm ³)	2393		2755	
	Maximum Power (kW/rpm)	110@3400		130@3400	
	Maximum Torque (Nm/rpm)	400@1600-2000		420@1400-2600 M/T, 450@1600-2400 A/T	
	Valve train	16-valve DOHC		16-valve DOHC	
	Fuel system	Fuel injection with common rail		Fuel injection with common rail	
	Fuel capacity (L)	80		80	
	Bore X Stroke (mm)	92.0 x 90.0		92.0 x 103.6	
	Compression ratio	15.6:1		15.6:1	
TRANSMISSION	Type	Manual	Automatic	Manual	Automatic
	Number of ratios	6-speed	6-speed	6-speed	6-speed
	Ratios (:1)	1st 4.784; 2nd 2.423; 3rd 1.443; 4th 1.000; 5th 0.777; 6th 0.643; Rev 4.066	1st 3.600; 2nd 2.090; 3rd 1.488; 4th 1.000; 5th 0.687; 6th 0.580; Rev 3.732	1st 4.784; 2nd 2.423; 3rd 1.443; 4th 1.000; 5th 0.826; 6th 0.643; Rev: 4.066	1st 3.600; 2nd 2.090; 3rd 1.488; 4th 1.000; 5th 0.687; 6th 0.580; Rev 3.732
	Differential ratio (rear) (:1)	3.583	4.100	3.583	3.909